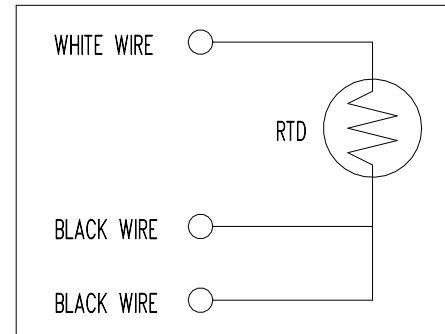


RTD ELEMENT POTTED IN
300 SERIES STAINLESS
STEEL PROBE HOUSING

1/4"-18 NPT
THREAD (RHT)

24 AWG, STRANDED CONDUCTOR,
SINGLE CONDUCTOR,
TEFLON INSULATED LEAD WIRES

STRIP
0.250"
± 0.070"



REV	DESCRIPTION	DATE	APP
0	INITIAL RELEASE	02/12/2019	DD
REVISION HISTORY			

EI SENSOR TECHNOLOGIES
www.ei-sensor.com
© COPYRIGHT

RTD PROBE ASSEMBLY

DRAWN BY: DAN DANKERT

SCALE: NONE LAYER: 0 OF 2

REV: 0 DATE: 02/12/2019

P/N ERP10018

RTD ELEMENT RESISTANCE @ 0°C = 1,000 Ω ± 0.06%
RTD ELEMENT ACCURACY @ 0°C = ± 0.15°C
RTD ELEMENT ACCURACY = DIN 43760 CLASS "A"
TCR = 3,850 ppm/°C
MAXIMUM TEMPERATURE RATING = +200°C

ROHS COMPLIANT

This PROPRIETARY document is the property of EI Sensor Technologies. It is confidential in nature, non-transferrable and issued with the understanding that it is not to be traced or copied without permission, and is returnable on demand.