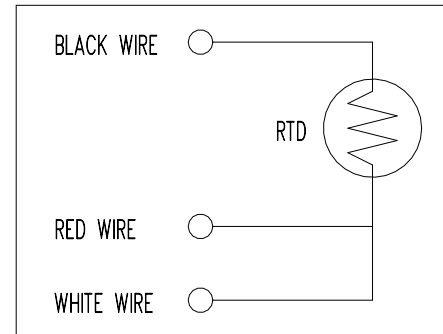


RTD ELEMENT POTTED IN  
300 SERIES STAINLESS  
STEEL PROBE HOUSING

1/2"-14 NPT  
THREAD (RHT)



REV	DESCRIPTION	DATE	APP
0	INITIAL RELEASE	02/11/2019	DD
REVISION HISTORY			

EI SENSOR TECHNOLOGIES  
www.ei-sensor.com  
© COPYRIGHT

## RTD PROBE ASSEMBLY

DRAWN BY: DAN DANKERT

SCALE: NONE LAYER: 0 OF 2

REV: 0 DATE: 02/11/2019

P/N ERP10014

RTD ELEMENT RESISTANCE @ 0°C = 1,000 Ω ± 0.06%  
RTD ELEMENT ACCURACY @ 0°C = ± 0.15°C  
RTD ELEMENT ACCURACY = DIN 43760 CLASS "A"  
TCR = 3,850 ppm/°C  
MAXIMUM TEMPERATURE RATING = +105°C

MOISTURE RESISTANT PROBE ASSEMBLY

ROHS COMPLIANT

This PROPRIETARY document is the property of EI Sensor Technologies. It is confidential in nature, non-transferrable and issued with the understanding that it is not to be traced or copied without permission, and is returnable on demand.